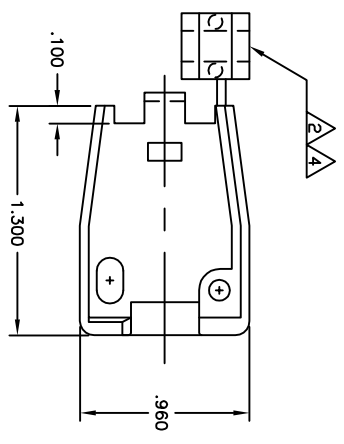
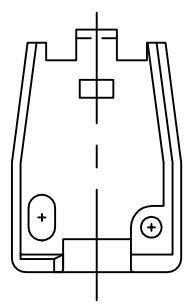
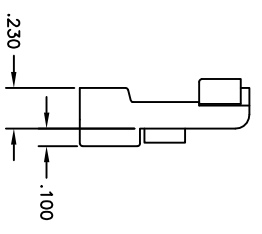


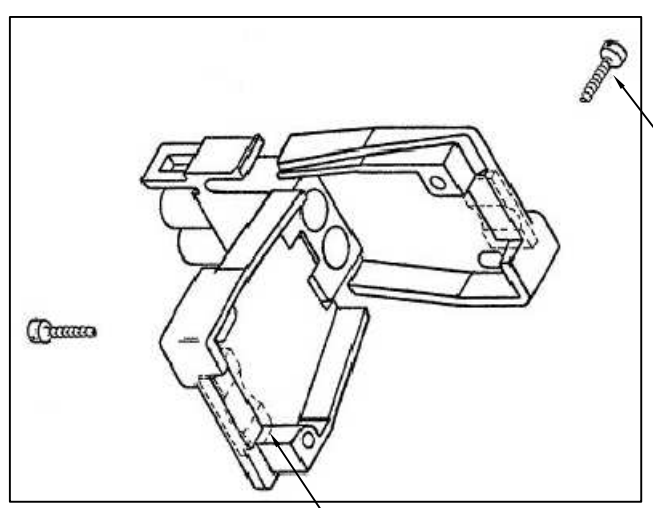
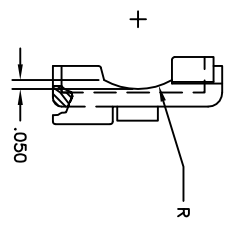
- 1 SHEET METAL SCREWS NOT SUPPLIED
- 2 INSERT IS ATTACHED TO STRAIN RELIEF, AS AN ADDITIONAL ADJUSTMENT FOR SMALL WIRE BUNDLES, IT SHOULD BE CUT-OFF AND POSITIONED AS SHOWN BY DOTTED LINES.
- 3 TWO REQUIRED PER CONNECTOR
- 4 STYLE 2 DOES NOT INCLUDE INSERT.
- 5 DETACHABLE INSERT MAY SEPARATE FROM STRAIN RELIEF BODY DURING SHIPPING.



STYLE 1



STYLE 2



(2 REQ'D) #6 X .375 LONG, TYPE '8'
 PAN HEAD SHEET METAL SCREW

REV	DATE	DESCRIPTION	BY	CHK	APP
D1		REMOVED PER ESR-13-017009			

DESCRIPTION	QTY	UNIT	REMARKS
2 @ .200 DIA TO	2		
2 @ .350 DIA	2		
2 @ .040 DIA MIN	2		
2 @ .190 DIA MAX	2		

THIS DRAWING IS A CONTROLLED DOCUMENT.		DATE: 10/20/2013	
DRAWING NUMBER: 640719		REV: 1	
DESIGNER: TOM MICHELLETTI		CHECKER: TOM MICHELLETTI	
APPLICATION SPEC: 2 CIRCUIT, UNIVERSAL MATE-N-LOK		DATE: 02/07/79	
MATERIAL: NYLON, 94V-2		SCALE: 2:1	
FINISH: 0 P/C, 1 P/C, 2 P/C, 3 P/C		SHEET: 1 OF 1	
WEIGHT: -		REV: D1	